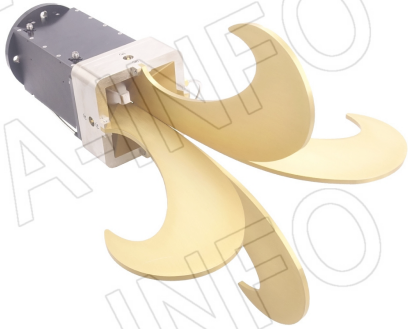


For reference only. See data sheet for the detailed specifications.

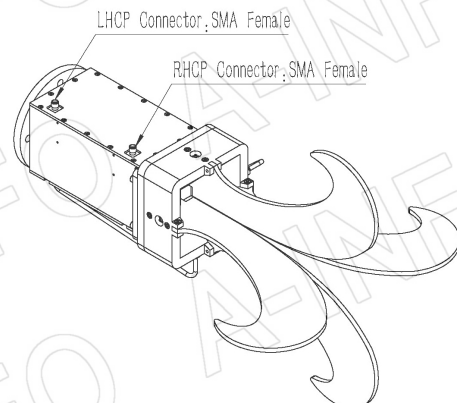
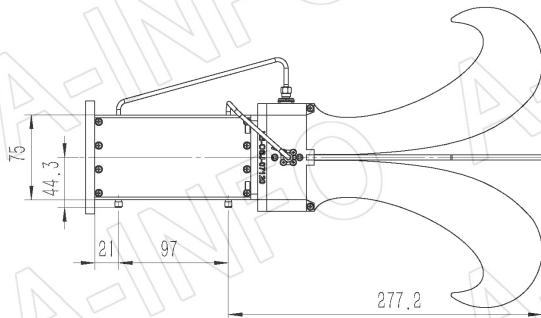
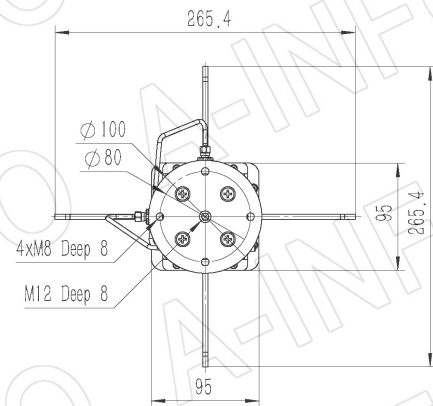
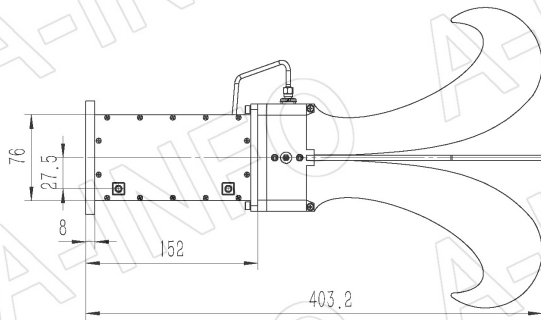
Technical Specification



Frequency Range(GHz)	0.7 - 12.0
Gain(dBic)	10 Typ.
Polarization	Dual Circular
Axial Ratio(dB)	1.5 Typ. 3.5 Max.
3dB Beamwidth(deg)	E Plane: 92 - 25
	H Plane: 174 - 24
Port to Port Isolation(dB)	15 Typ.
VSWR	1.50:1 Max.
Connector	SMA-Female
Power Handling(W CW)	20 Max.
Material	Al
Finish	Chemical Conversion Coating and Nickel Plated, Anodizing
Size(mm)	265.4 x 265.4 x 403.2
Net Weight(Kg)	2.46 Around

Outline Drawing (Size: mm)

SMA-Female Output (P/N: LB-OSJ-07120-P03)



AINFO Inc.

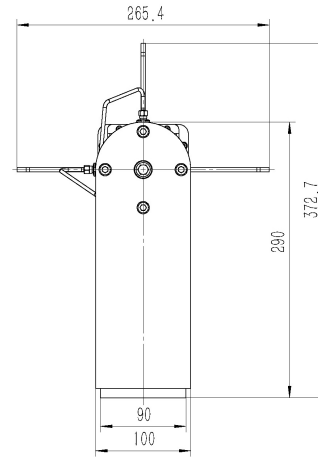
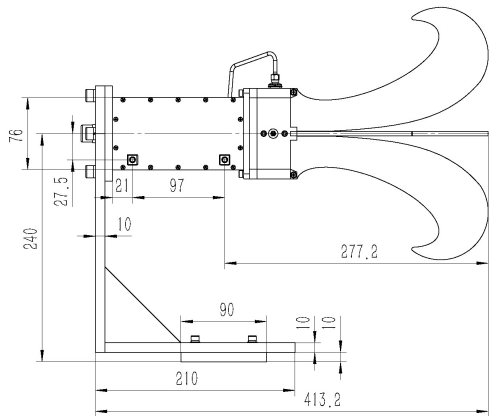
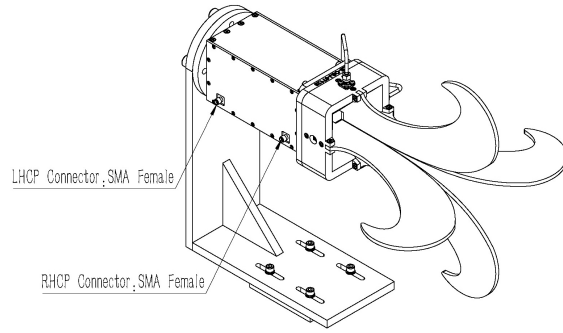
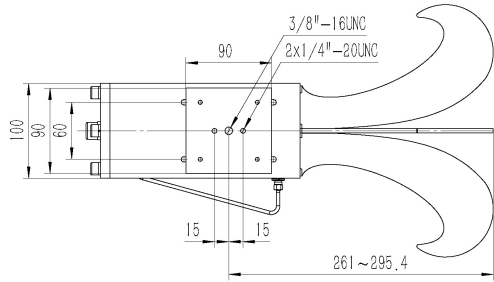
China(Beijing): Tel: (+86) 10-6266-7326,
China(Chengdu): Tel: (+86) 28-8519-2786,
USA: Tel: (+1) 949-639-9688,

Page 1 of 14

(+86) 10-6266-7327 Fax: (+86) 10-6266-7379
(+86) 28-8519-3044 Fax: (+86) 28-8519-3068
(+1) 949-639-9608 Fax: (+1) 949-639-9670

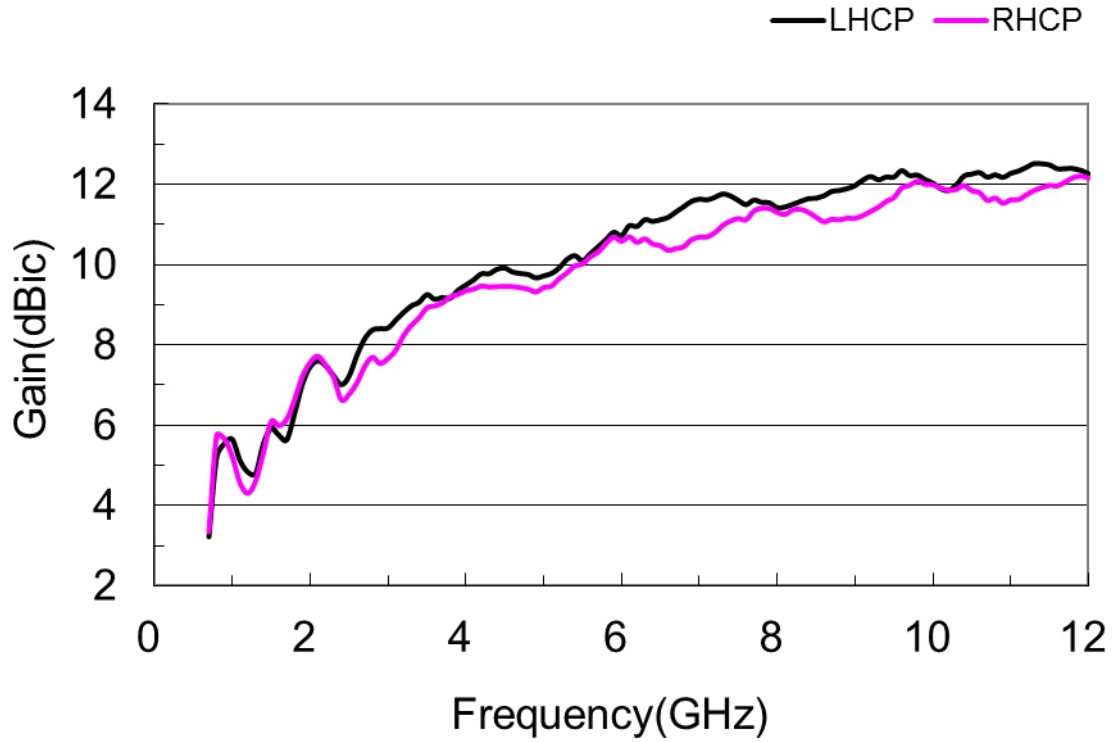
Website: www.ainfoinc.com
Email: sales@ainfoinc.com

SMA-Female Output with L Type Mounting Bracket (Option, P/N: LB-660-L)

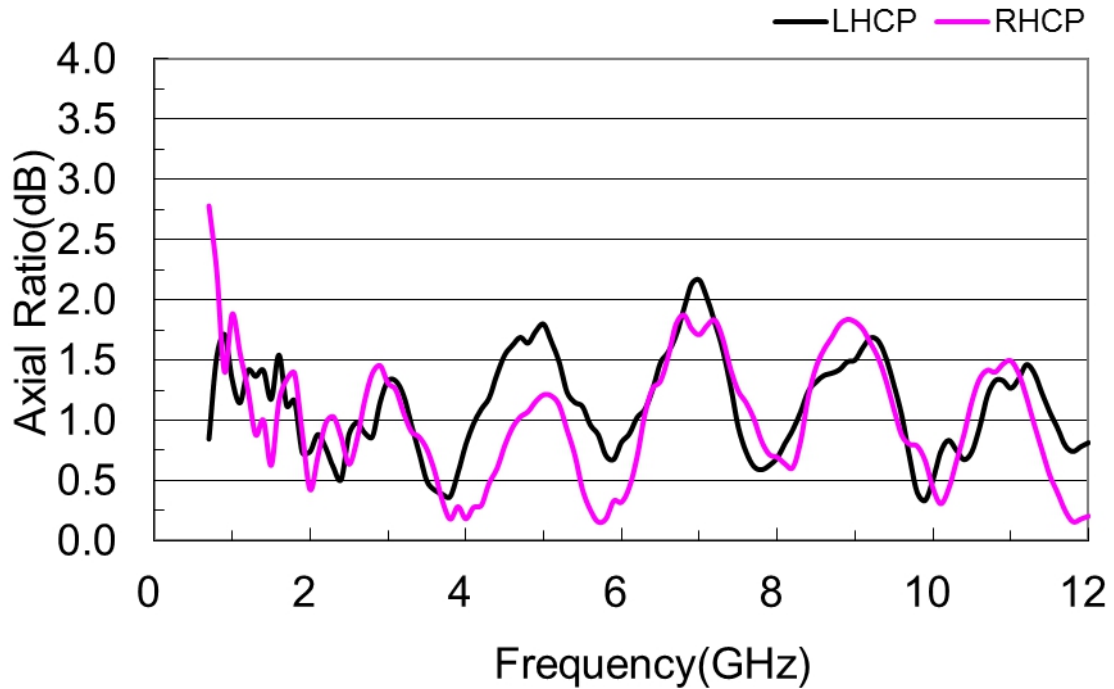


Test Results

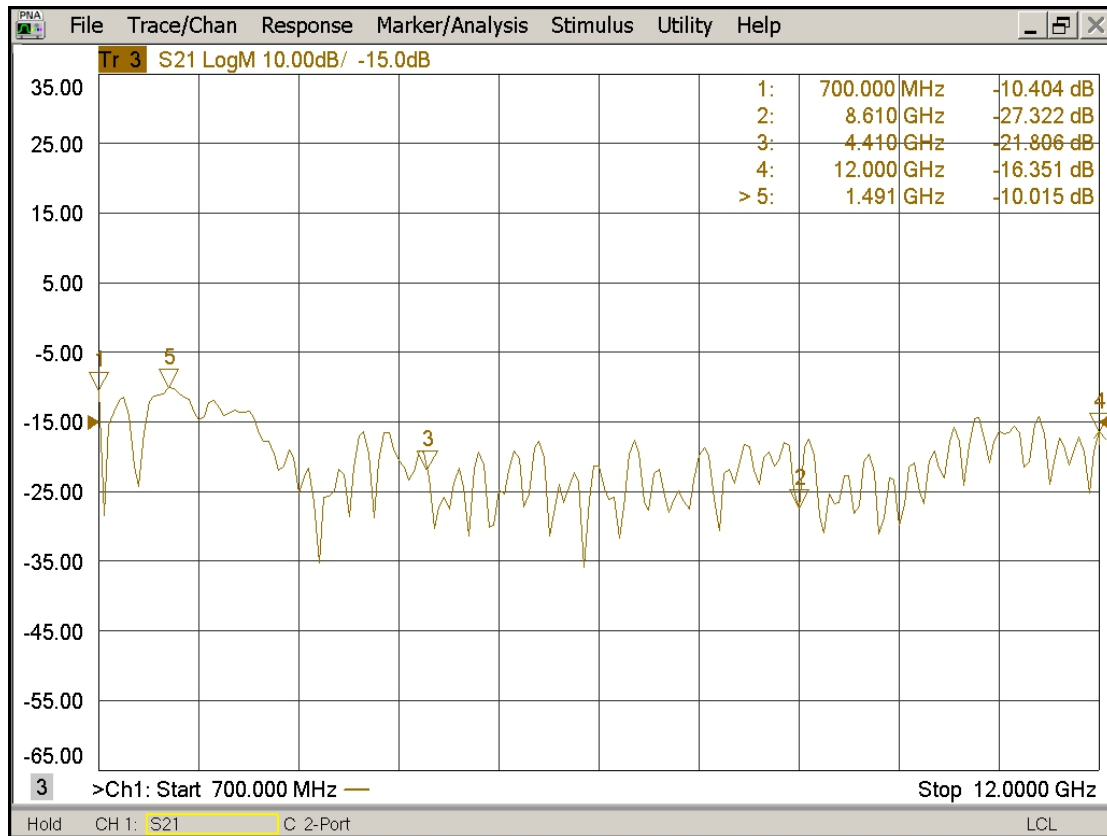
1. Gain



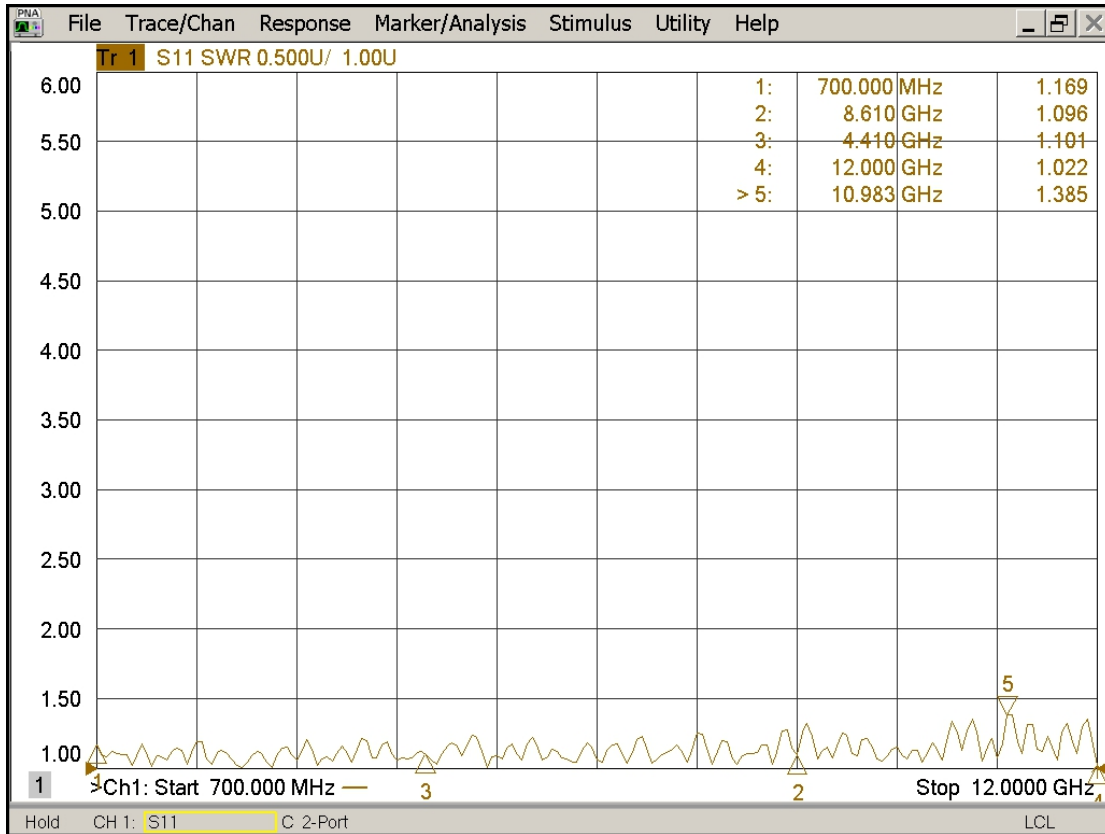
2. Axial Ratio



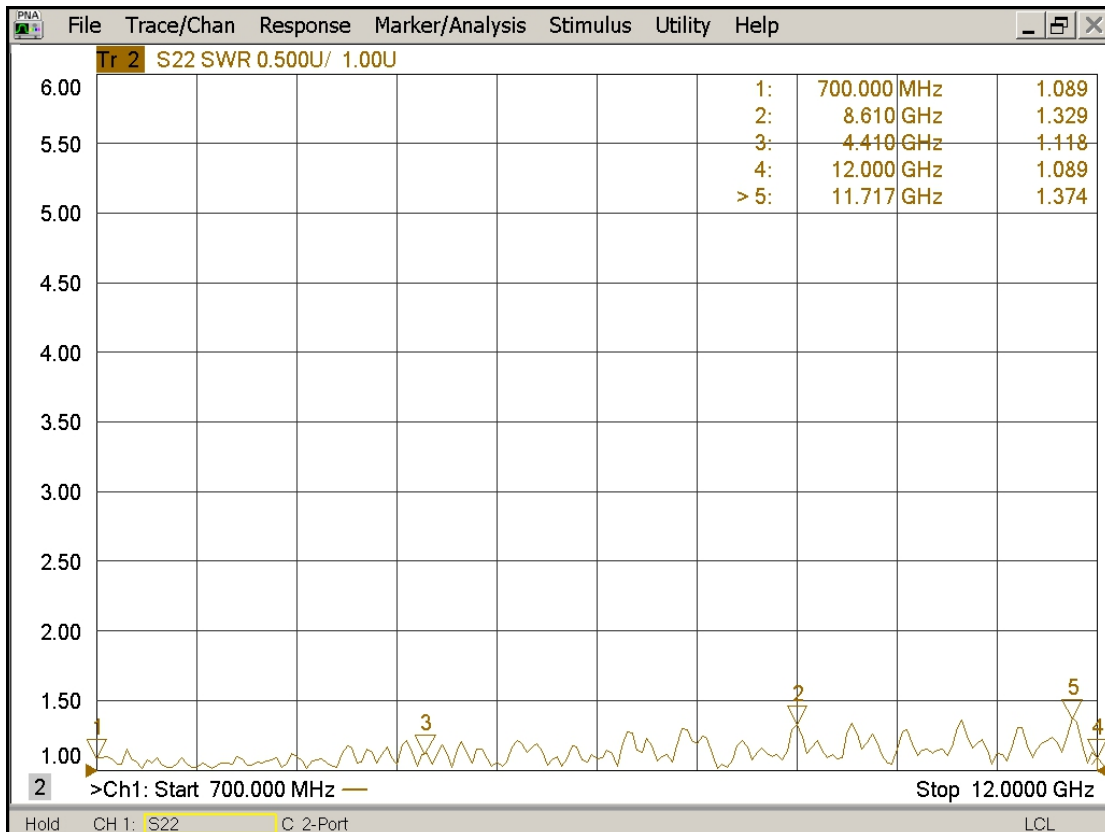
3. Port to Port Isolation



4. VSWR LHCP

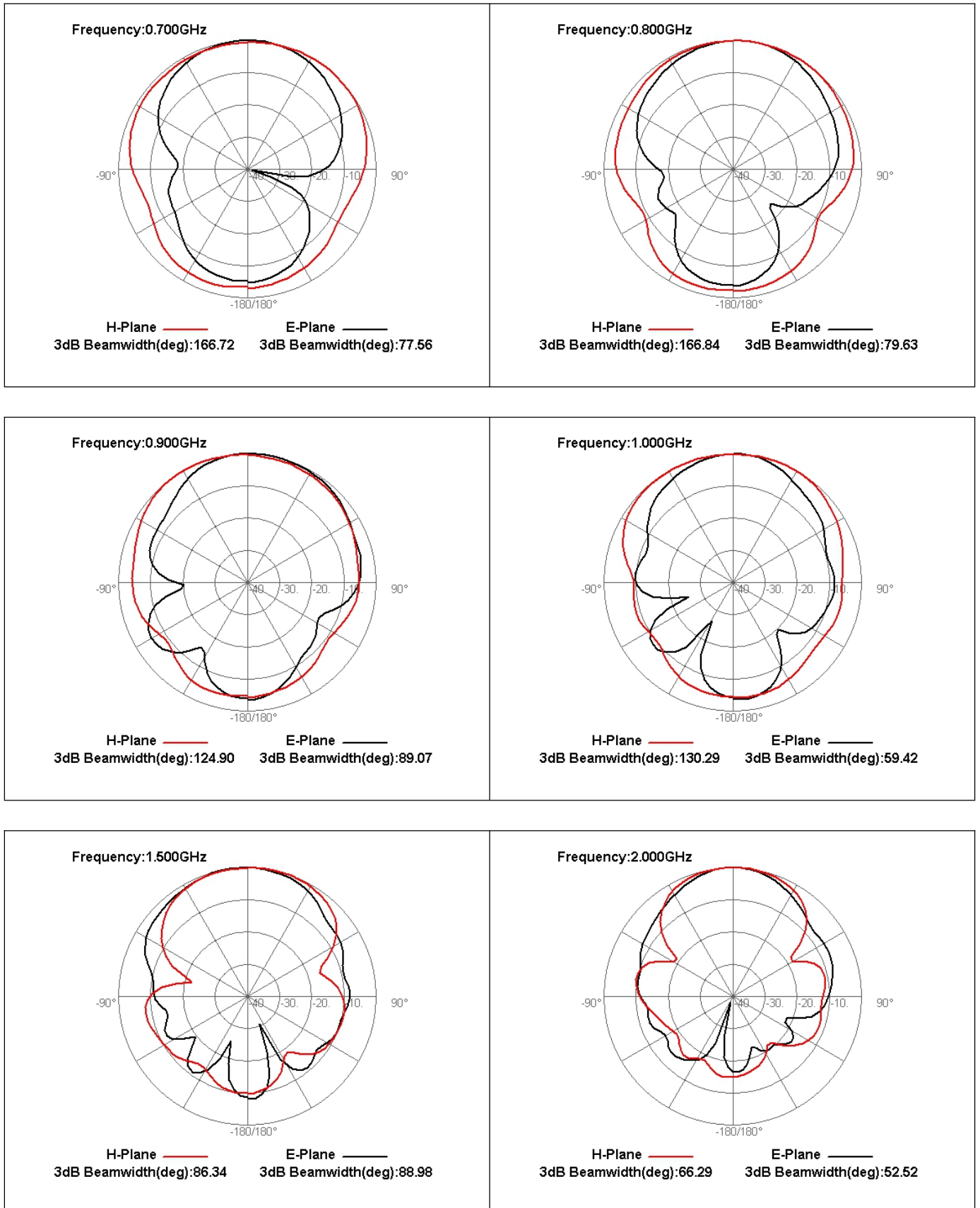


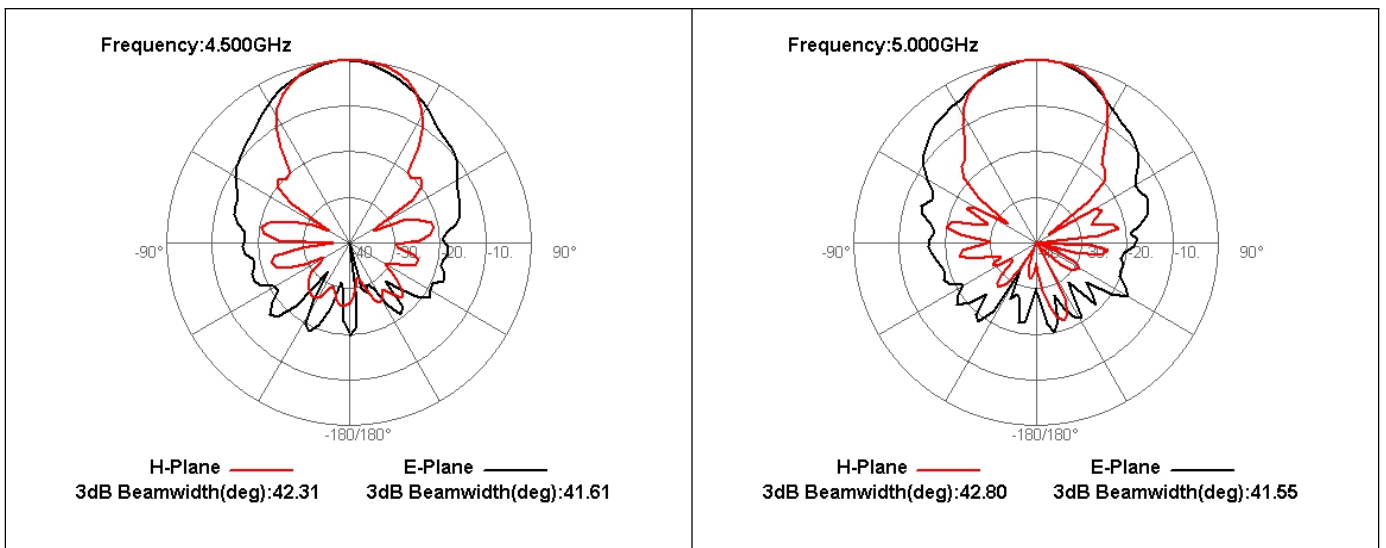
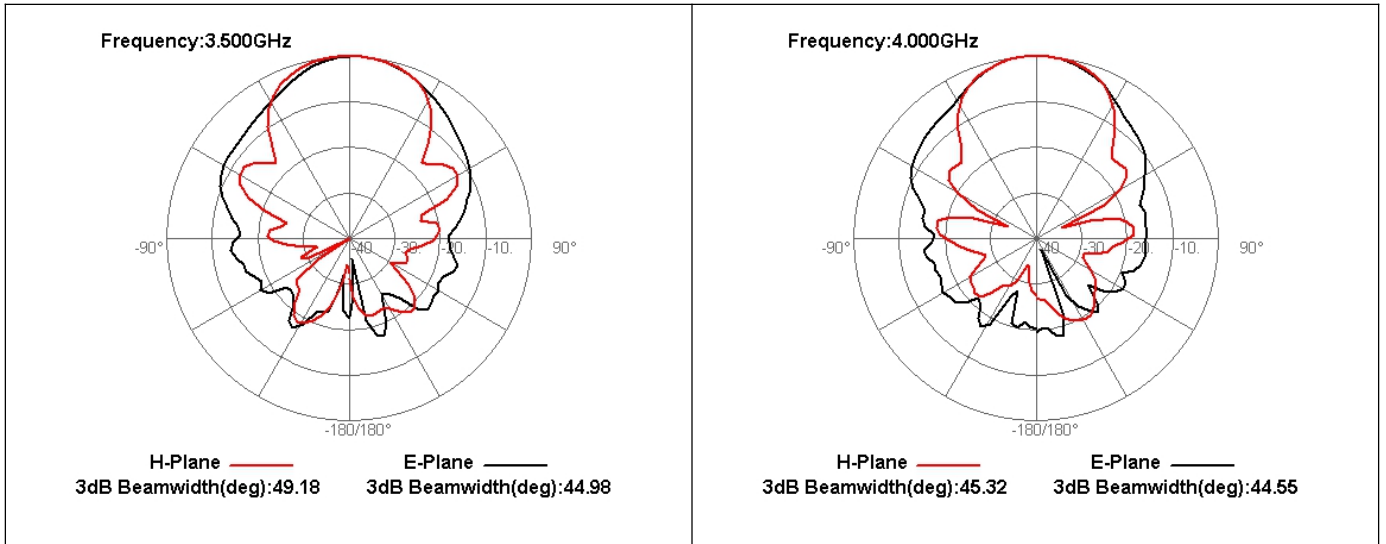
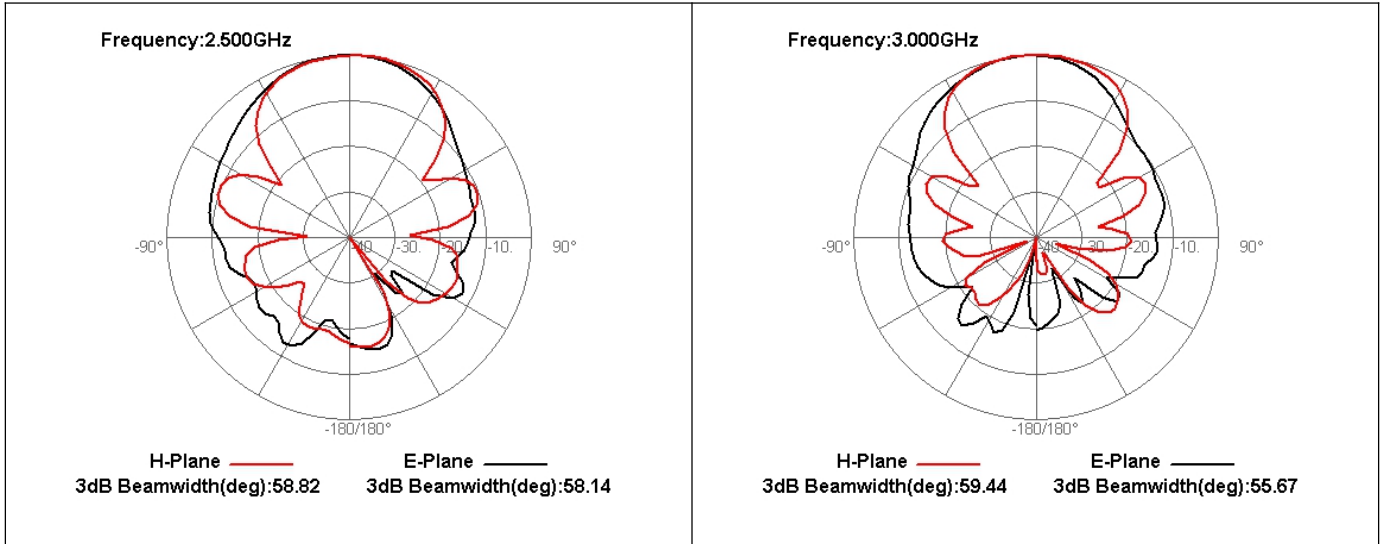
RHCP

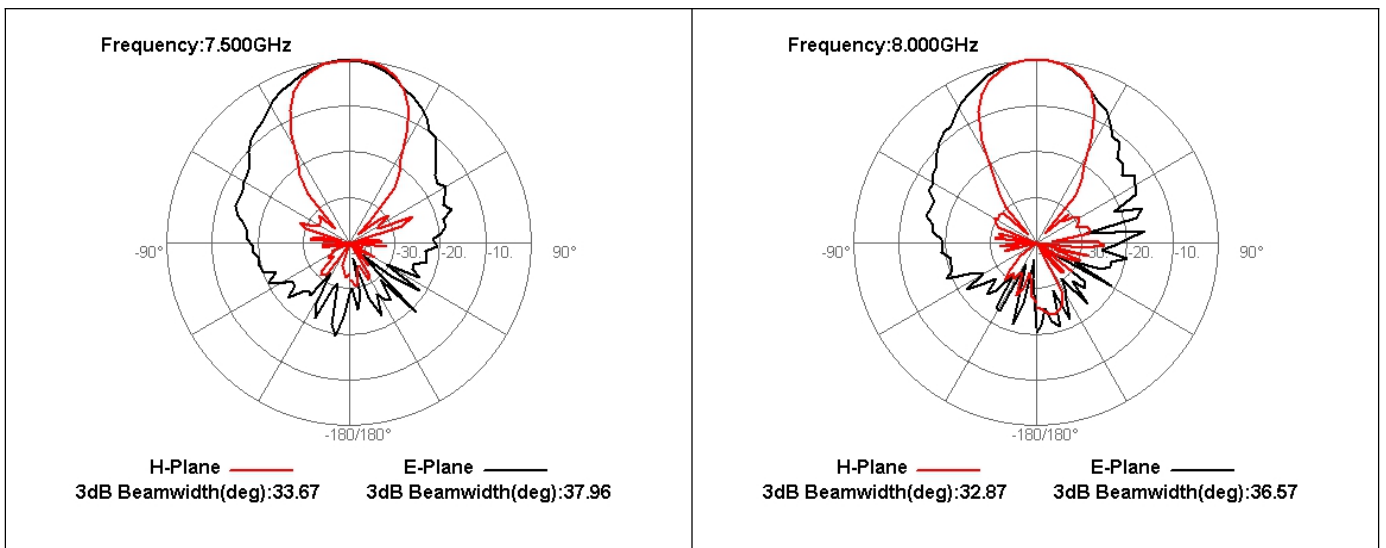
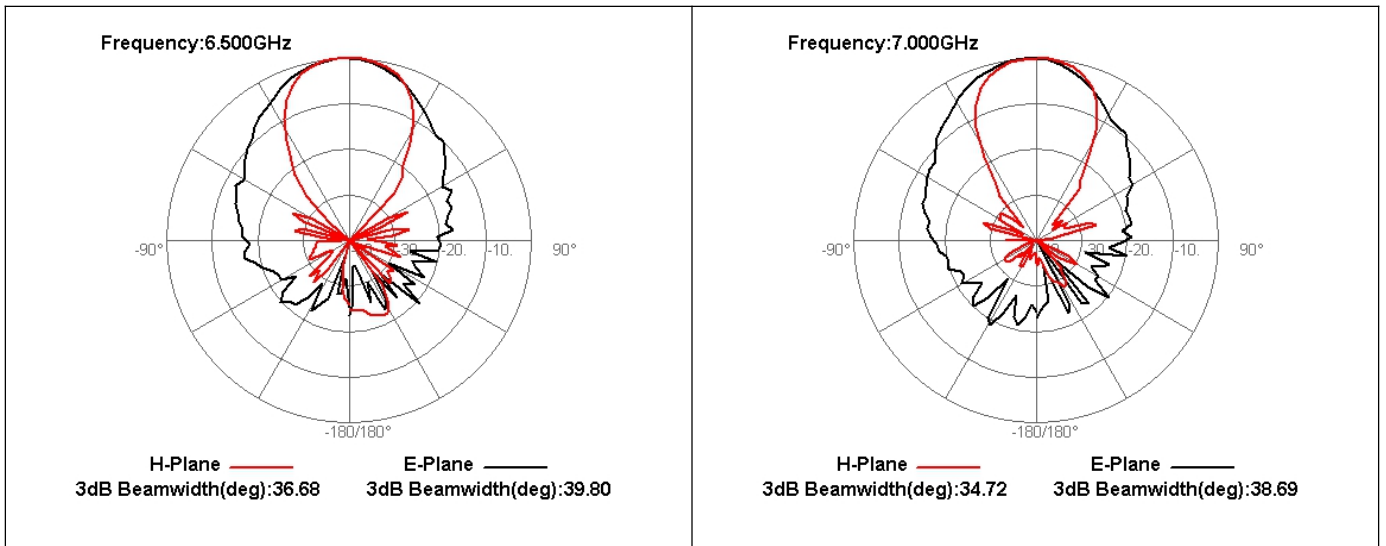
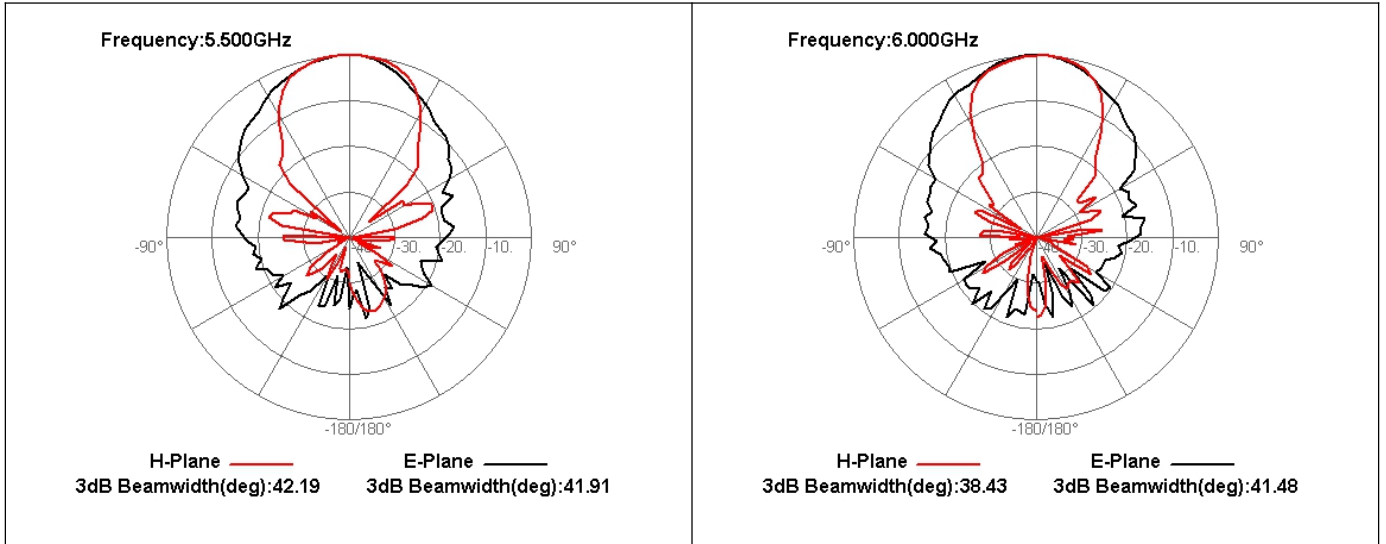


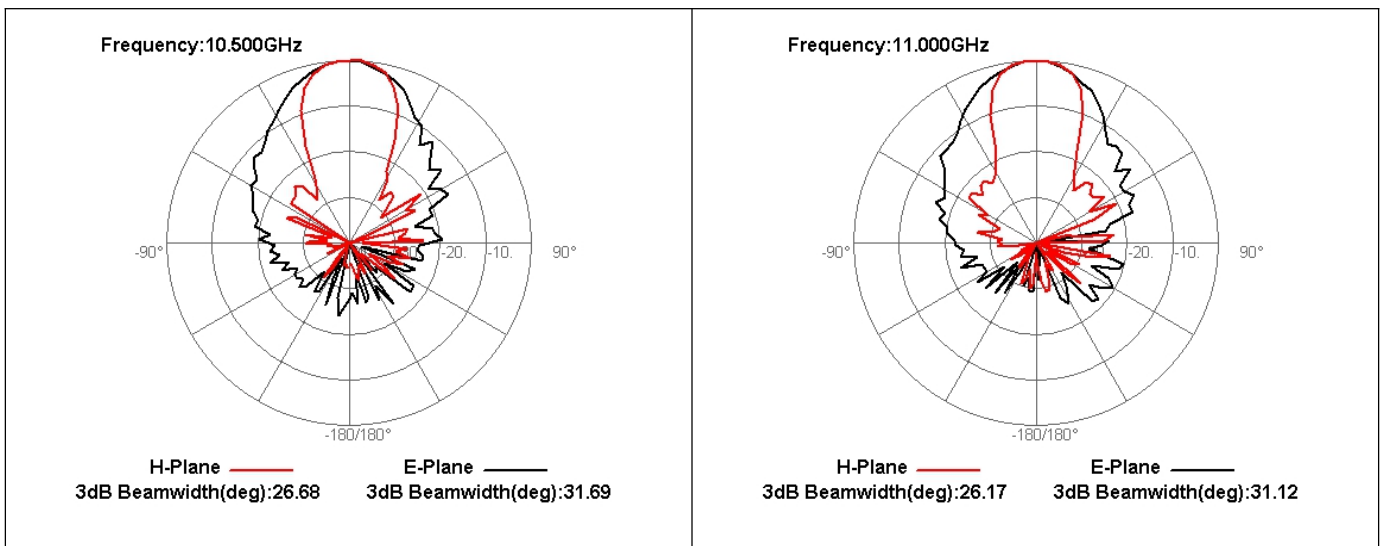
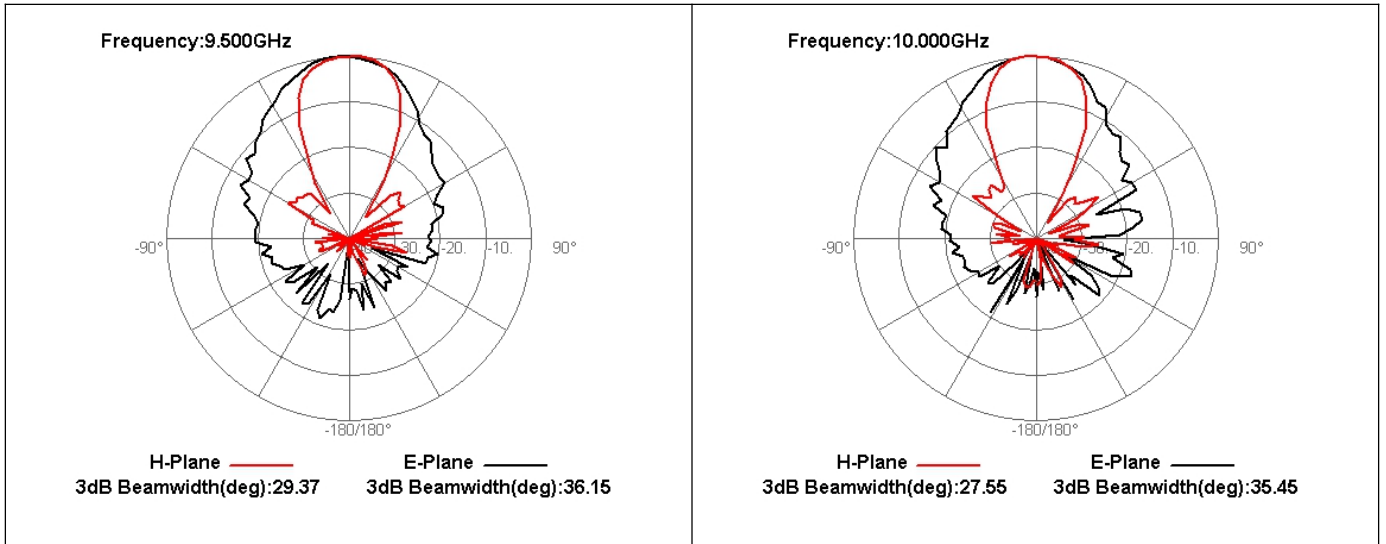
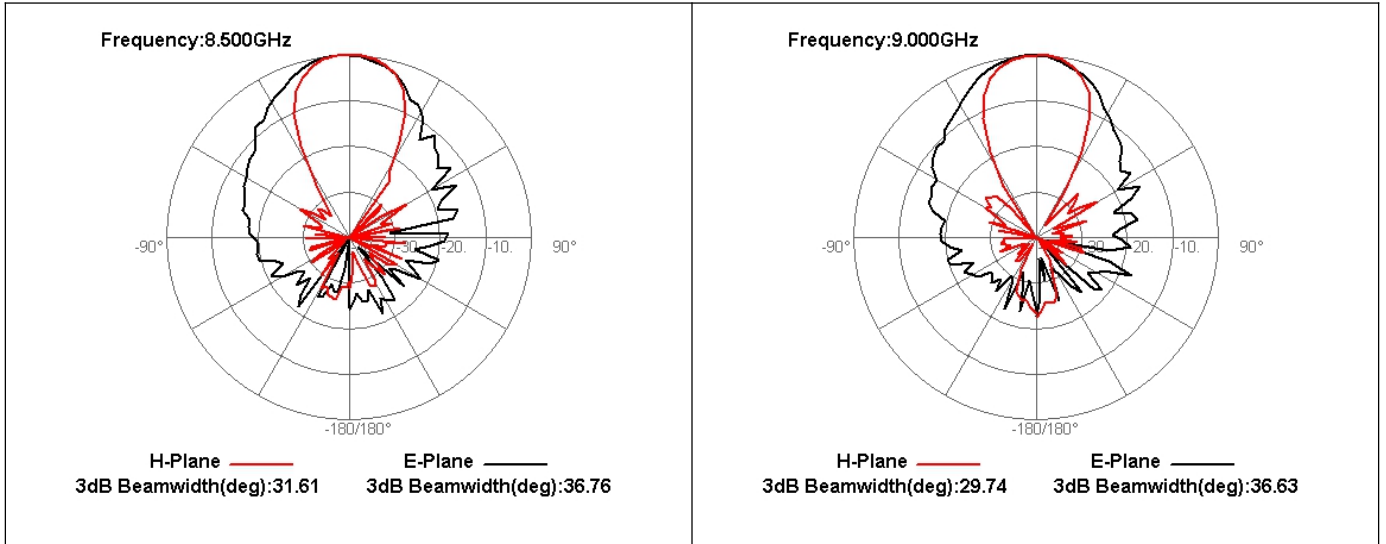
5. Pattern

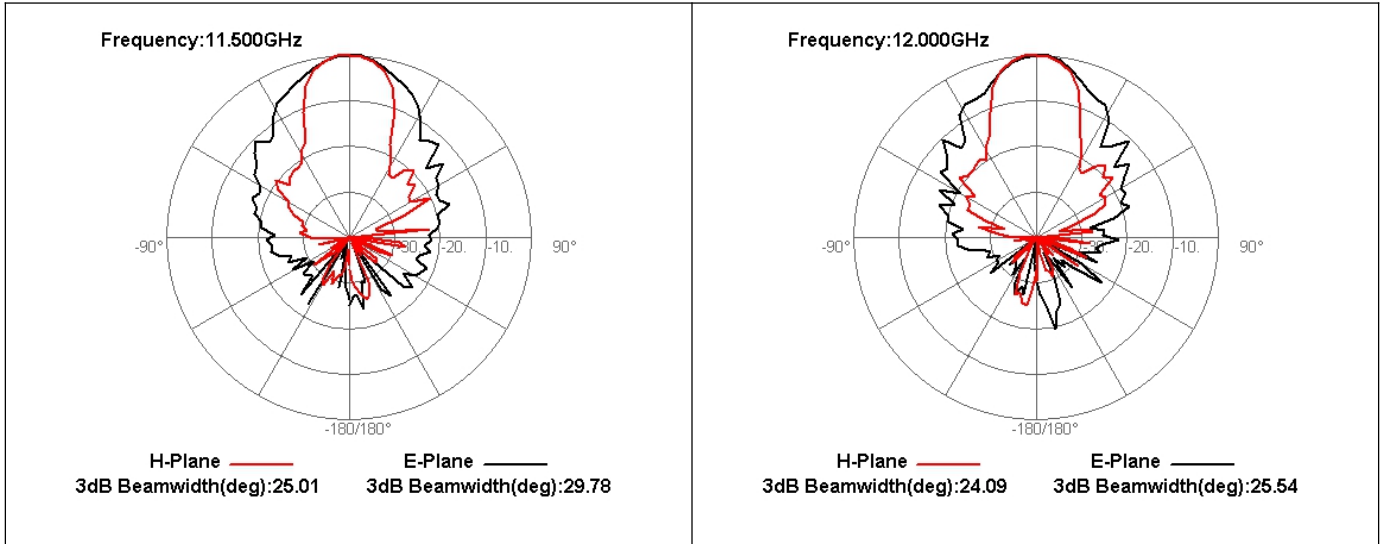
LHCP











RHCP

